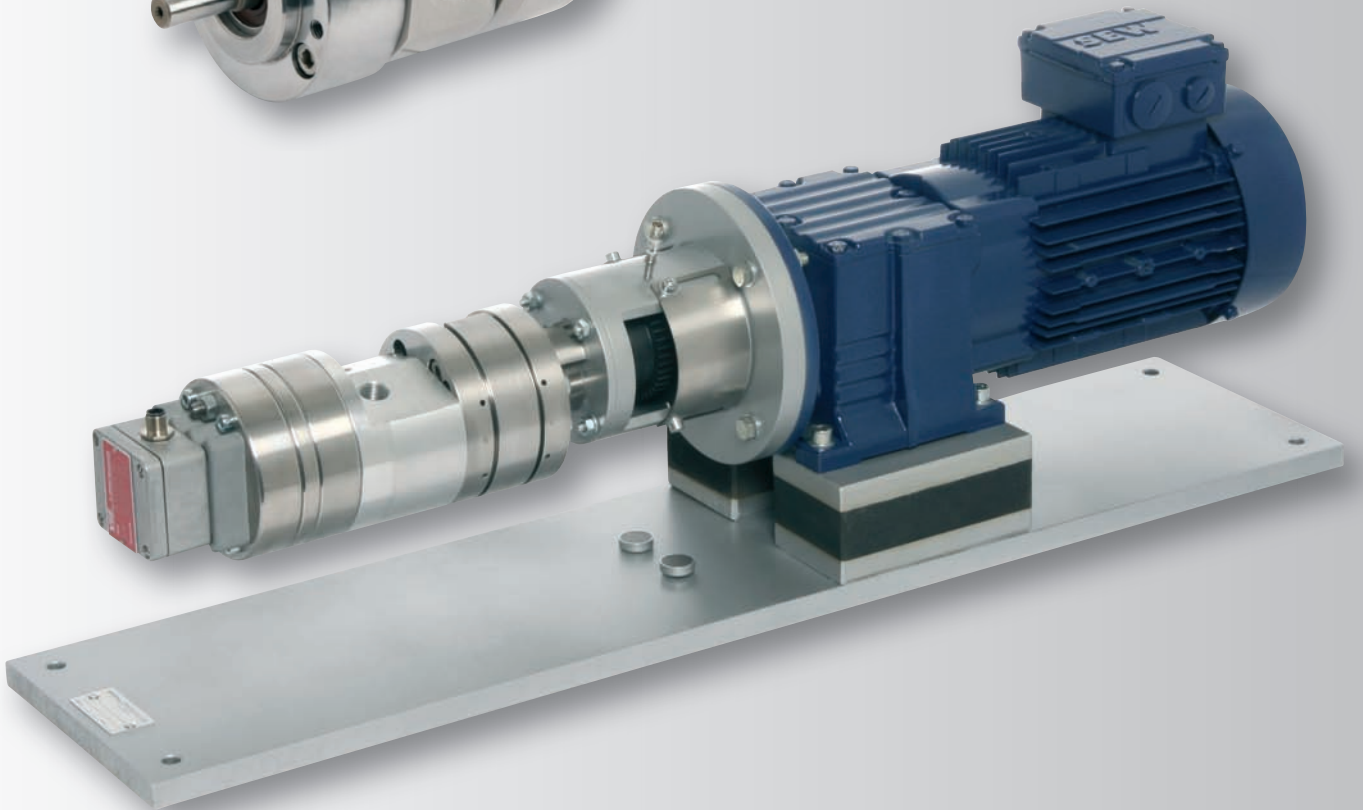
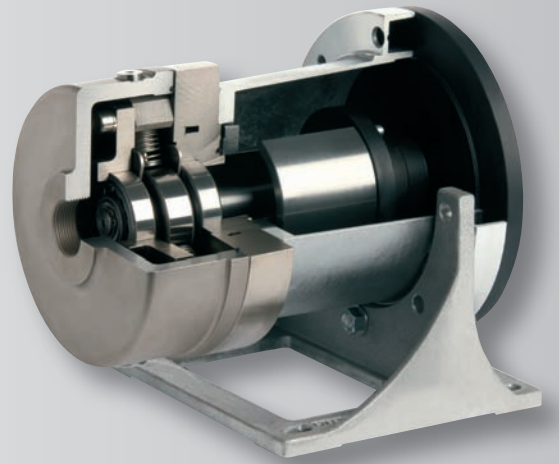
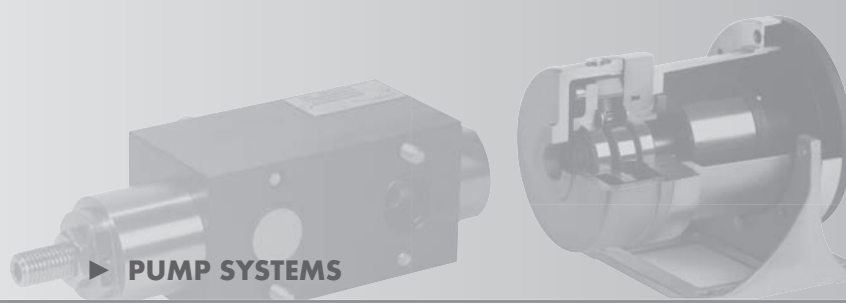


泵组系统  
定量计量+输送

**PUMP SYSTEMS**  
DOSING + TRANSFER





## ▶ 泵组系统

- 外齿轮泵  
单联或多联
- 内齿轮泵  
单联或多联
- 高压径向柱塞泵
- 高低压组合泵
- 特殊泵

百利泵 (Beinlich) 在世界上广泛应用。如液压,造船,航空,化工,塑料,制药,印染和食品行业等;也广泛应用于双组份,多组分混比。

经过六十年的技术沉淀和应对各种复杂介质的经验积累,百利泵公司能为客户提供高效且有效的解决方案。

经过多年系统性的开发,形成目前的定量泵和输送泵系列。我们按最高标准和质量来设计和开发产品。

- **EXTERNAL GEAR PUMPS  
SINGLE- AND MULTI-STAGE**
- **INTERNAL GEAR PUMPS  
SINGLE- AND MULTI-STAGE**
- **HIGH PRESSURE RADIAL PISTON PUMPS**
- **LOW AND HIGH PRESSURE PUMPS**
- **SPECIAL PUMPS**

Beinlich external gear dosing pumps are applied worldwide in process plants of the chemicals, plastics, pharmaceuticals, dyes, paints and food industries as well as in the areas of oil hydraulics, two- and multi-component machines, but also in shipbuilding and aircraft construction.

Based on extensive experience in dispensing difficult to handle fluids and six decades of technological knowledge, Beinlich develops customized, innovative and efficient solutions. The actual broad range of Beinlich dosing and transfer pumps is the result of systematic product development. Traditionally, the implementation of the highest possible standards, quality awareness and detailed knowledge of customer industry sectors are the focus of product design and development.



- ▶ 通过所属的 e.holding 集团的姐妹公司配合,百利泵公司能提供完整的泵组系统,例如:液压驱动,双组份设备,塑料或发泡设备,测试台,航空航天工业检修,及各种特殊应用。

- ▶ In cooperation with partner companies of the e.holding-Group, Beinlich offers complete aggregates as a system supplier for: Hydraulic drives, 2-component-machines, production of plastics and foamed plastics, testing benches, maintenance devices for the aerospace industry, special solutions for customized applications.

泵用于

- 低粘度或高粘度介质  
(粘度范围从 0.8 至 1000000 mPa·s)

该范围以外  
请咨询

- 腐蚀或磨损性液体  
(侵蚀性, 毒性且 (或) 高温)
- 压力范围从 3 到 700 bar
- 防爆应用 (ATEX)
- 聚氨酯工业和设备制造  
(异氰酸酯, 多元醇, 催化剂, 如氨, 防火油, 添加剂, 颜料; 含或不含磨料 (加粉)).

我们提供产品从泵头到完整泵组(泵, 三相交流电机或减速电机, 变频器, 调压阀, 流量计, 联轴器, 磁联轴器和钟罩等.)

针对各种应用, 我们的泵有多种轴密封方式:

- 轴封环 (1F)
- 三层密封带油封腔 (3F-SP)
- 压盖密封 (ST)
- 压盖密封带油封腔 (ST-SP)
- 机械密封带油封腔 (GL-SP)
- 径向力平衡机械密封带油封腔 (GL-SP-DP)
- 磁力密封 (MAG)

大排量外齿轮泵(斜齿), 配套磁联轴密封。用于钻井平台的天然气空压机的润滑循环

High capacity external gear pump (helical geared) with magnetic coupling in offshore-application for lubricant circuits of natural gas compressor stations

PUMPS FOR

- Low and highly viscous fluids (viscosity ranges from 0.8 to 1,000,000 mPa·s)
- Deviating viscosity ranges on request
- Corrosive and abrasive fluids (also aggressive, toxic and/or with high temperatures)
- Pressure ranges from 3 up to 700 bar
- Application in explosion-proof areas (ATEX)
- Polyurethane and machine building industry (Isocyanates, Polyol, activators e.g. amine, fire retardants, propellants, dyes; with /without abrasive fillers)

Our delivery range reaches from „pump free shaft“ to a complete unit (Pump, three-phase-motor or gear motor, frequency converter, pressure control valve, flow meter VSE GmbH, mechanical coupling or magnetic coupling, bell housing)

For specific applications various sealing types are available for the drive shaft of the pump:

- Single shaft sealing ring (1F)
- Triple shaft seal with block chamber (3F-SP)
- Gland (ST)
- Gland with block chamber (ST-SP)
- Mechanical seal with block chamber (GL-SP)
- Mechanical seal with block chamber and Axial bearing (GL-SP-DP)
- Canister through magnetic coupling (MAG)



定量加注设备 用于牛油和人造黄油  
Dosing unit for butter and margarine



定量泵集成流量计, 用于双组份或多组份混合系统

Gear dosing pump with assembled flow meter for 2- or multi-component-dosing systems





大排量外齿轮泵  
High capacity external gear pump

- 除了标准的不锈钢材料, 我们可提供特殊不锈钢, 钛合金或黄铜等材料
- 温度范围可高达 350°C (662°F), 如 泵应用与热油输送
- 更高压力等级的应用请咨询, 需综合粘度因素
- 液体加热 (导热油) 或 电加热 (加热夹套或加热装置)
- 外齿轮泵, 内齿轮泵, 可选单联或多联泵



不锈钢齿轮定量泵  
特殊设计  
Stainless steel gear dosing pump in special design

- Beside our standard stainless steel materials matching, we can offer special stainless steels, titanium or bronze
- Temperature ranges up to 350°C (662°F), e.g. pumps for heat transfer oil
- High system pressures available upon request, depending on viscosity
- Hydraulically heated (heat transfer media) or electrically heated (heating jacket or heating element)
- External and internal gear pumps, single- and multi-stage available



高压径向柱塞泵  
High pressure radial piston pump



大排量内齿轮泵  
集成安全阀  
低噪音  
High capacity internal gear pump with integral pressure limiting valve for low noise application

关于我们的外齿轮泵和不锈钢定量泵及特殊泵的更多信息, 请参考我们的 ZPD 产品样本或登录我们的网站查看 [www.beinlich-pumps.com](http://www.beinlich-pumps.com)

Detailed information about our high capacity external gear pumps and stainless steel gear dosing pumps in special design is available in our ZPD catalogue or online at [www.beinlich-pumps.com](http://www.beinlich-pumps.com)

## ► 规格及体积 排量

### 模块化设计 产品范围

- 使用模块化设计原理, 我们可以实现各种组合, 组合出适合各种特定应用领域的最佳方案。

选取一个合适的泵, 最基本的参数是每转的排量。需要考虑的其它重要参数还有输送的介质的润滑性、粘度和系统的压力范围。

### 外齿轮泵 定量泵和输送泵

- 外齿轮泵 排量范围从 0.1 到 2600 毫升/转

### 内齿轮泵

- 排量范围从 1 到 207 毫升/转

### 径向柱塞泵

- 径向柱塞泵 排量范围从 0.42 到 42.9 毫升/转

## ► SIZES AND VOLUMETRIC DISPLACEMENTS

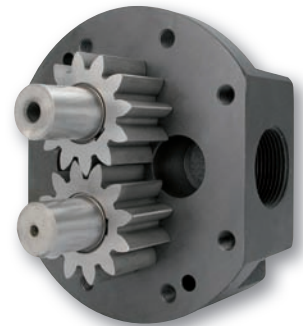
### PUMP PROGRAMME DELIVERY RANGES

- By using the component building block principle, a large number of combination possibilities are available for each individual solution in practically every application area.

The selection of an adequate pump occurs on the basis of the volumetric displacement per rotation. Further important factors are also the lubricity and the viscosity of the pumped medium as well as the pressure ratio within the system.

### EXTERNAL GEAR PUMPS DOSING AND TRANSFER PUMPS

- External gear pumps with volumetric displacements from 0.1 up to 2,600 cc/rev



### INTERNAL GEAR PUMPS

- Internal gear pumps with volumetric displacements from 1 up to 207 cc/rev



### RADIAL PISTON PUMPS

- Radial piston pumps with volumetric displacements from 0.42 up to 42.9 cc/rev



► 排量范围  
(毫升/转)

► PERFORMANCE RANGE  
(CC/REV)

外齿轮泵  
(规格范围)

EXTERNAL GEAR PUMPS  
(PREFERENTIAL MODEL RANGE)

<b>BG 1</b> 0,1 - 7,3 毫升/转	<b>BG 1</b> 0.1 - 7.3 cc/rev
<b>BG 2</b> 3,9 - 23,6 毫升/转	<b>BG 2</b> 3.9 - 23.6 cc/rev
<b>BG 3</b> 17,3 - 72,0 毫升/转	<b>BG 3</b> 17.3 - 72.0 cc/rev
<b>BG 4</b> 44,4 - 517,0 毫升/转	<b>BG 4</b> 44.4 - 517.0 cc/rev

每系列中间排量规格请咨询

<b>BG 5</b> 289,0 - 900,0 毫升/转	<b>BG 5</b> 289.0 - 900.0 cc/rev
<b>BG 6</b> 550,0 - 900,0 毫升/转	<b>BG 6</b> 550.0 - 900.0 cc/rev
<b>BG 7</b> 1100,0 - 1600,0 毫升/转	<b>BG 7</b> 1100.0 - 1600.0 cc/rev
<b>BG 8</b> 2100,0 - 2600,0 毫升/转	<b>BG 8</b> 2100.0 - 2600.0 cc/rev

Intermediate sizes of the single types on request

内齿轮泵

INTERNAL GEAR PUMPS

<b>BG 1</b> 1,0 - 6,9 毫升/转	<b>BG 1</b> 1.0 - 6.9 cc/rev
<b>BG 2</b> 3,5 - 17,0 毫升/转	<b>BG 2</b> 3.5 - 17.0 cc/rev

<b>BG 3</b> 18,0 - 69,0 ccm/U	<b>BG 3</b> 18.0 - 69.0 cc/rev
<b>BG 4</b> 55,0 - 207,0 ccm/U	<b>BG 4</b> 55.0 - 207.0 cc/rev

径向柱塞泵

RADIAL PISTON PUMPS

<b>1-级</b> 0,4 - 10,0 毫升/转	<b>1-stage</b> 0.4 - 10.0 cc/rev
<b>2-级</b> 0,8 - 21,0 毫升/转	<b>2-stage</b> 0.8 - 21.0 cc/rev

特殊要求请咨询

<b>3-级</b> 1,2 - 32,0 毫升/转	<b>3-stage</b> 1.2 - 32.0 cc/rev
<b>4-级</b> 1,6 - 42,0 毫升/转	<b>4-stage</b> 1.6 - 42.0 cc/rev

Customer specific designs on request

► 询价参数表

可登录网站填写  
[www.beinlich-pumps.com/deutsch/anfrage-formular.php](http://www.beinlich-pumps.com/deutsch/anfrage-formular.php)

► DATA-SHEET FOR ENQUIRY

also available online on  
[www.beinlich-pumps.com/english/enquiry.php](http://www.beinlich-pumps.com/english/enquiry.php)

轴封类型举例

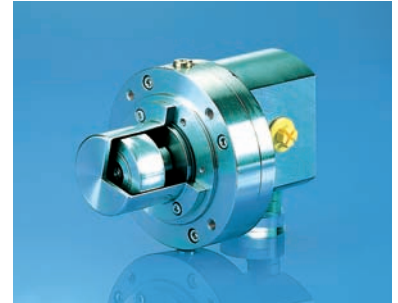
- 单层密封环
- 三层密封带油封腔
- 机械密封
- 机械密封带油封腔  
用于入口压力高场合
- 无泄漏磁力密封,  
如 有毒液体

SHAFT SEALING EXAMPLES

- Single shaft sealing ring
- Triple shaft seal with block chamber
- Mechanical contact seal
- Mechanical contact seal with block chamber for high inlet pressure
- Leakage-free magnetic coupling, e.g. for toxic liquids

不锈钢定量泵  
带磁力密封

Stainless steel gear dosing pump with magnetic coupling



计量泵,用于食品工业  
带清洗回路  
用于 CIP 清洁

Metering pump for the food industry with flushing connections and passages for CIP cleaning



高压径向柱塞泵  
(闭式设计)

High pressure radial piston pump (closed design)



高精度定量泵  
微量定量

High precision dosing pump for low dosing rates



合作的集团子公司

**VSE Volumentechnik GmbH**

高精度流量计  
各种配套仪表  
个性化方案

**DST Dauermagnet-SystemTechnik GmbH**

► 新型永磁联轴器  
(采用 BOROARDCAN® 硼硅隔离罩节省  
30% 能量损失)  
完整传递组件  
个性化方案

**HBE GmbH Hydraulik-Komponenten**

钟罩  
脚架  
减震装置

**COOPERATION WITHIN  
THE GROUP**

**VSE Volumentechnik GmbH**

High precision flow measurement  
Complex electronic readouts  
Customer specific solutions

**DST Dauermagnet-SystemTechnik GmbH**

► **NEW** Permanent magnetic couplings  
(30% energy savings with Borosilicate  
canister BOROARDCAN®)  
Conversion kits  
Customer specific solutions

**HBE GmbH Hydraulic Components**

Bell housings  
Footbrackets  
Damping elements

完整泵组,采用黄铜材料,应用于泡沫  
液,集成流量计和安全阀

Complete unit in bronze version for  
foam agent pump with integrated flow  
meter and safety valve



计量泵,用于含填料(加粉)的多元醇;  
带旁路阀门

Metering pumps for polyols with abra-  
sive fillers with separate bypass valves



齿轮泵,用于热油循环  
---特殊设计

Gear pump for hot oil circulation  
- special design



计量泵组,用于聚氨酯工业;含油封  
腔,减速电机,钟罩和联轴器

Metering pump with block chamber  
for the polyurethane industry as a  
complete unit with gear box motor, bell  
housing and coupling



**胜任**

**应用建议**

产品设计基于输送介质  
兼容性

机械学

泵组方案

**COMPETENT  
APPLICATION ADVICE**

Application design according to  
the pumped fluid

Compatibility

Mechanics

Pump as part of a system solution



应用服务

Application service

**个性化  
方案**

内部研发

内部设计

内部加工

**CUSTOMER SPECIFIC  
SOLUTIONS**

In-house development

In-house design

In-house production



CNC 制造

CNC-Production

**为客户量身订做  
文档**

用于安装

用于操作和维护

**CUSTOMER ORIENTATED  
DOCUMENTATION**

For installation, operation  
and maintenance

**安装+服务**

全球范围

**INSTALLATION +  
SERVICE**

On request world-wide

**维修服务**

德国厂内维修

**MAINTENANCE SERVICE**

Repair service if requested on location



100% 质量控制

100% Quality control

**德国制造**

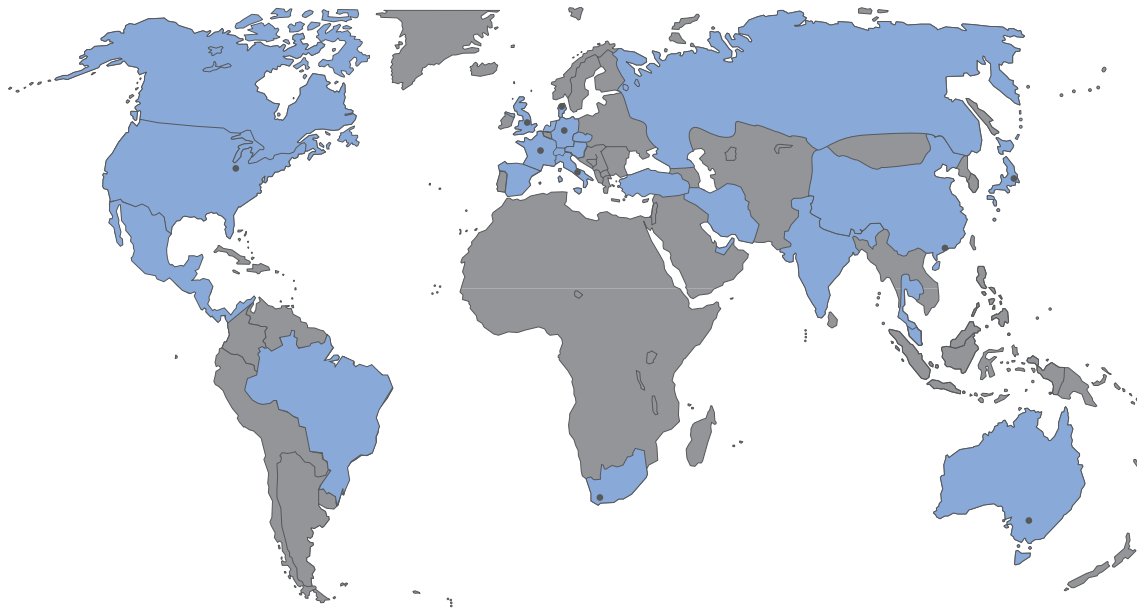
100% 质量控制

**QUALITY "MADE IN GERMANY"**

100% quality control

• 以此版本为准,早期版本所有参数作废。百利泵 (Beinlich) 公司保留变更的权利,不承担印刷错误的责任。复制或引用需得到百利泵公司的书面许可。版本:03/2011

• The current publication of this catalogue supersedes all information from previous publications. Beinlich reserves the right to make changes and substitutions. Beinlich is not liable for any printing errors. Reproduction, including excerpts, is permitted only after written approval by Beinlich. Beinlich reserves the right to modify technical data at any time. Last revised: 03/2011



## 全球网络

长期合作伙伴和集团子公司

- 个人
- 胜任
- 高效

## WORLDWIDE SERVICE

qualified advice through  
longstanding cooperation partners  
and own distribution companies

- personal
- competent
- efficient



德国流体系统有限公司上海代表处  
上海市漕溪路250号银海大楼A103室

电话: 020-64827125

传真: 020-64827126

info@germanfluid.com

www.germanfluid.com

澳大利亚

Australia

奥地利

Austria

巴西

Brasil

加拿大

Canada

中国\*

**China\***

捷克

Czech Republic

丹麦

Denmark

法国\*

**France\***

英国\*

**Great Britain\***

印度\*

**India\***

伊朗

Iran

意大利\*

**Italy\***

日本

Japan

墨西哥

Mexico

俄罗斯

Russia

斯洛伐克

Slovak Republic

南非

South Africa

西班牙

Spain

瑞士

Switzerland

泰国

Thailand

荷兰

The Netherlands

土耳其

Turkey

阿联酋

United Arab Emirates

美国\*

**USA\***

\*集团子公司

\*own distribution companies

Beinlich Pumpen GmbH  
Gewerbstraße 29  
58285 Gevelsberg/Germany

Phone +49 (0) 23 32 / 55 86 0  
Fax +49 (0) 23 32 / 55 86 31

info@beinlich-pumps.com  
www.beinlich-pumps.com



FLUID TECHNOLOGY GROUP www.e-holding.de