

液压配件
联轴器
油箱

HBE.

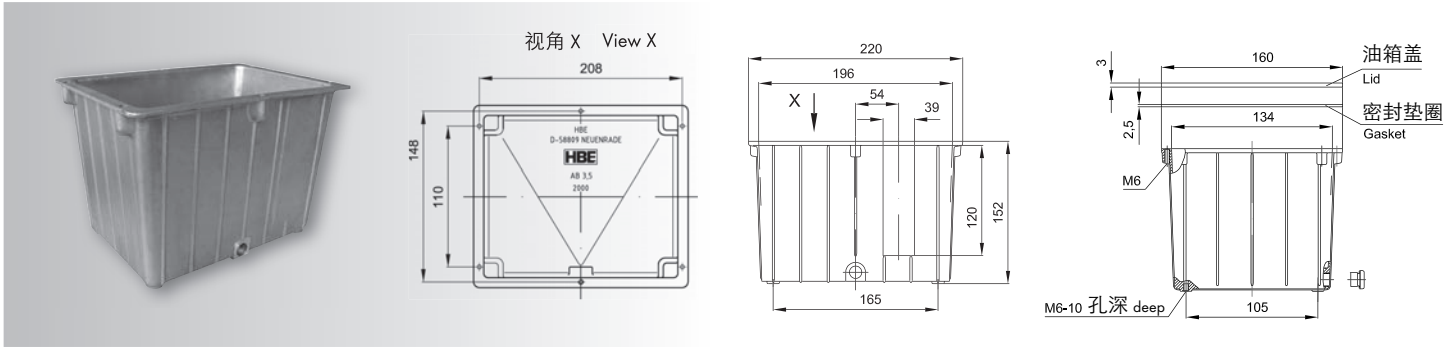
*Hydraulic Components
Drive Couplings
Oil Tanks*

油箱 铝质

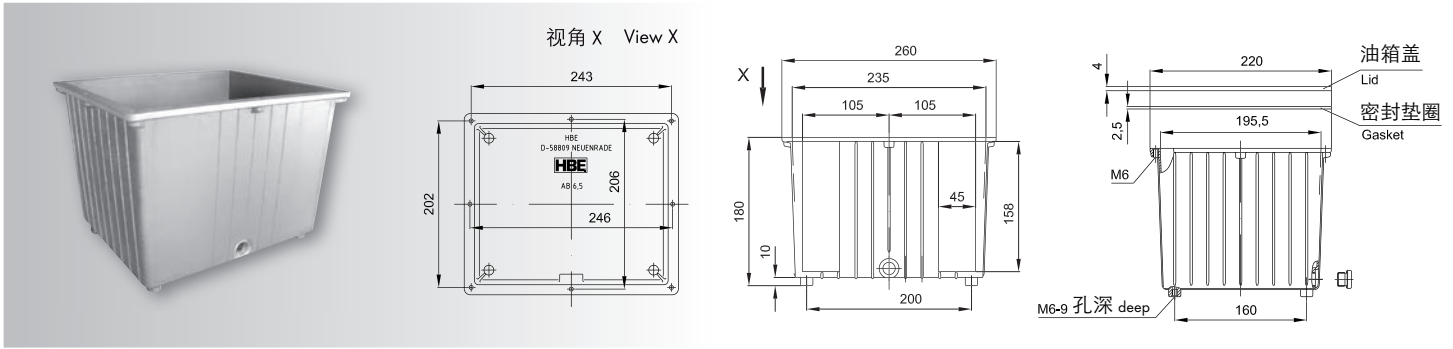


油箱
OIL TANKS

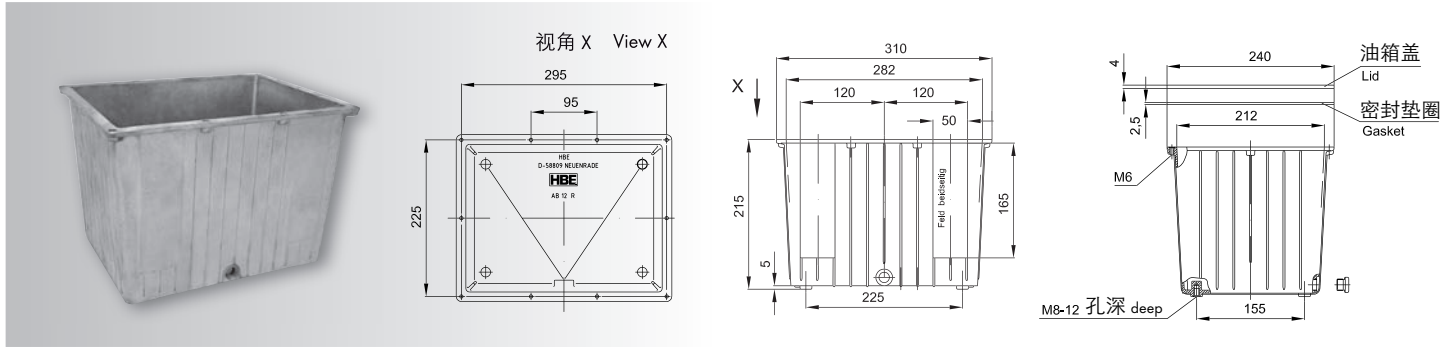
铝质
ALUMINIUM



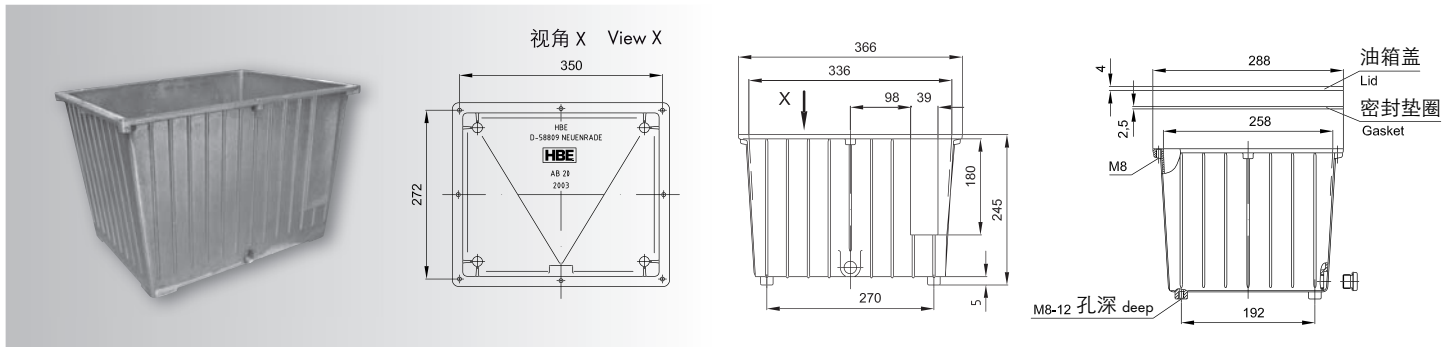
产品代码 PART NO.	订货号 ORDERING CODE	说明	DESCRIPTION
2000	AB 3,5	油箱 有效容积 3 L, 重 1.0 kg, 可叠起堆放	Tank Effective capacity approx. 3 L · weight 1,0 kg · stackable
2200	SD 3,5	钢制油箱盖, 可加工好安装孔, 也可以不加工, 不上漆, 还可以来图加工	Steel lid machined for mounting on the tank, otherwise unmachined, unprimed or completely machined acc. to customer's drawing
2230	D 3,5A	密封垫圈 (纸板)	Gasket (paperboard)
2238	D 3,5GK	密封垫圈 (橡胶软木)	Gasket (rubber cork)
2260	AS G 1/4"	放油塞	Drain plug
2261	G 1/4"	铜质油塞垫片 (14x18x1,5)*	CU-Gasket (14x18x1,5)*
2371	SE 1	空虑注油塞 (金属)*	Filler (metal)*
2340	ÖS 76	液位计*	Oil gauge *



产品代码 PART NO.	订货号 ORDERING CODE	说明	DESCRIPTION
2005	AB 6,5	油箱 有效容积 6 L, 重 1.6 kg, 可叠起堆放	Tank Effective capacity approx. 6 L · weight 1,6 kg · stackable
2205	SD 6,5	钢制油箱盖, 可加工好安装孔, 也可以不加工, 不上漆, 还可以来图加工	Steel lid machined for mounting on the tank, otherwise unmachined, unprimed or completely machined acc. to customer's drawing
2239	D 6,5A	密封垫圈 (纸板)	Gasket (paperboard)
2246	D 6,5GK	密封垫圈 (橡胶软木)	Gasket (rubber cork)
2262	AS G 3/8"	放油塞	Drain plug
2267	G 3/8"	铜质油塞垫片 (16x22x2)	CU-Gasket (16x22x2)
2371	SE 1	空虑注油塞 (金属)*	Filler (metal)*
2340	ÖS 76	液位计*	Oil gauge *
2350	ÖS 127	液位计*	Oil gauge *



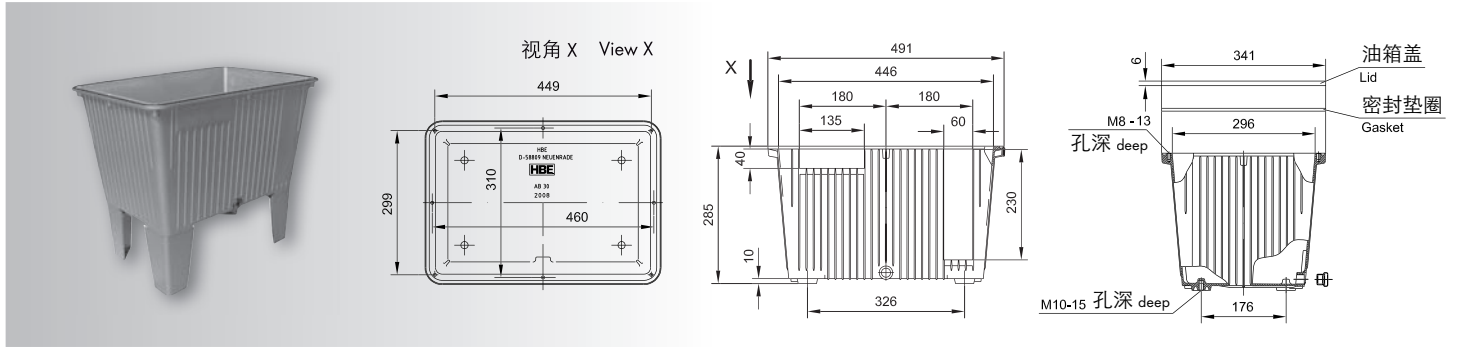
产品代码 PART NO.	订货号 ORDERING CODE	说明	DESCRIPTION
2007	AB 12 NR	油箱 有效容积 11 L, 重 3.0 kg, 可叠起堆放	Tank Effective capacity approx. 11 L · weight 3 kg · stackable
2216	SD 12 NR	钢制油箱盖, 可加工好安装孔, 也可以不加工, 不上漆, 还可以来图加工	Steel lid machined for mounting on the tank, otherwise unmachined, unprimed or completely machined acc. to customer's drawing
2236	D 12A NR	密封垫圈 (纸板)	Gasket (paperboard)
2240	D 12GK NR	密封垫圈 (橡胶软木)	Gasket (rubber cork)
2262	AS G 3/8"	放油塞	Drain plug
2267	G 3/8"	铜质油塞垫片 (16x22x2)	CU-Gasket (16x22x2)
2371	SE 1	空虑注油塞 (金属)*	Filler (metal)*
2340	ÖS 76	液位计*	Oil gauge *
2350	ÖS 127	液位计*	Oil gauge *



产品代码 PART NO.	订货号 ORDERING CODE	说明	DESCRIPTION
2003	AB 20	油箱 有效容积 17 L, 重 4.4 kg, 可叠起堆放	Tank Effective capacity approx. 17 L · weight 4,4 kg · stackable
2203	SD 20	钢制油箱盖, 可加工好安装孔, 也可以不加工, 不上漆, 还可以来图加工	Steel lid machined for mounting on the tank, otherwise unmachined, unprimed or completely machined acc. to customer's drawing
2233	D 20 A	密封垫圈 (纸板)	Gasket (paperboard)
2245	D 20 GK	密封垫圈 (橡胶软木)	Gasket (rubber cork)
2263	AS G 1/2"	放油塞	Drain plug
2268	G 1/2"	铜质油塞垫片 (21x26x1,5)	CU-Gasket (21x26x1,5)
2371	SE 1	空虑注油塞 (金属)*	Filler (metal)*
2340	ÖS 76	液位计*	Oil gauge *
2350	ÖS 127	液位计*	Oil gauge *

铝油箱 AB 30 NR

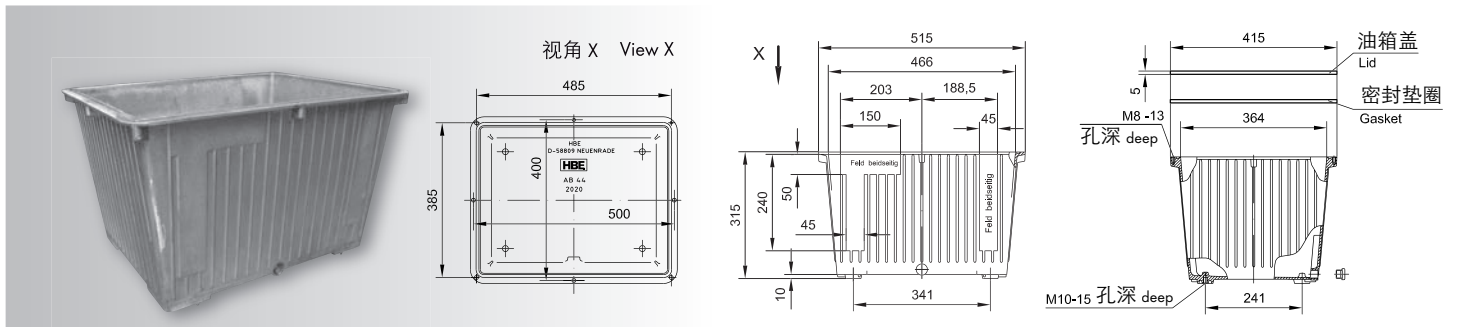
ALUMINIUM OIL TANKS AB 30 NR



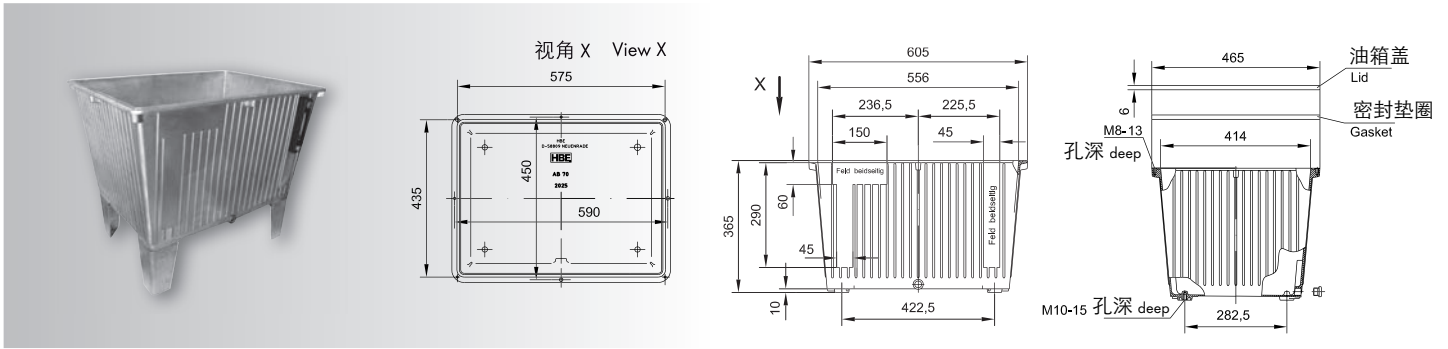
产品代码 PART NO.	订货号 ORDERING CODE	说明	DESCRIPTION
2008	AB 30 NR	油箱 有效容积 26 L, 重 7 kg, 可叠起堆放	Tank Effective capacity approx. 26 L · weight 7 kg · stackable
2204	SD 30	钢制油箱盖, 可加工好安装孔, 也可以不加工, 不上漆, 还可以来图加工	Steel lid machined for mounting on the tank, otherwise unmachined, unprimed or completely machined acc. to customer's drawing
2210	AD 30	铝制油箱盖, 可加工好安装孔, 也可以不加工, 不上漆, 还可以来图加工	Aluminium lid machined for mounting on the tank, otherwise unmachined, unprimed or completely machined acc. to customer's drawing
2234	D 30 NBR	密封垫圈 \varnothing 6 mm NBR	Gasket \varnothing 6 mm NBR
2263	AS G 1/2"	放油塞	Drain plug
2268	G 1/2"	铜质油塞垫片 (21x26x1,5)	CU-Gasket (21x26x1,5)
2300	F 30	AB 30 油箱铝支脚 (一套4个)	Aluminium feet for AB 30 (Set=4 pcs.)
2372	SE 2	空虑注油塞 (金属)*	Filler (metal)*
2340	ÖS 76	液位计*	Oil gauge*
2350	ÖS 127	液位计*	Oil gauge*

铝油箱 AB 44

ALUMINIUM OIL TANKS AB 44



产品代码 PART NO.	订货号 ORDERING CODE	说明	DESCRIPTION
2020	AB 44	油箱 有效容积 40 L, 重 10 kg, 可叠起堆放	Tank Effective capacity approx. 40 L · weight 10 kg · stackable
2221	SD 44	钢制油箱盖, 可加工好安装孔, 也可以不加工, 不上漆, 还可以来图加工	Steel lid machined for mounting on the tank, otherwise unmachined, unprimed or completely machined acc. to customer's drawing
2241	D 44 NBR	密封垫圈 \varnothing 6 mm NBR	Gasket \varnothing 6 mm NBR
2263	AS G 1/2"	放油塞	Drain plug
2268	G 1/2"	铜质油塞垫片 (21x26x2,5)	CU-Gasket (21x26x2,5)
2300	F 44	AB 44 油箱铝支脚 (一套4个)	Aluminium feet for AB 44 (Set=4 pcs.)
2372	SE 2	空虑注油塞 (金属)*	Filler (metal)*
2340	ÖS 76	液位计*	Oil gauge*
2350	ÖS 127	液位计*	Oil gauge*
2352	ÖS 176	液位计*	Oil gauge*
2384	LR 150	脚轮高 150 mm*	Castors 150 mm*



产品代码 PART NO.	订货号 ORDERING CODE	说明	DESCRIPTION
2025	AB 70	油箱 有效容积 63 L, 重 12 kg, 可叠起堆放	Tank Effective capacity approx. 63 L · weight 12 kg · stackable
2225	SD 70	钢制油箱盖, 可加工好安装孔, 也可以不加工, 不上漆, 还可以来图加工。	Steel lid machined for mounting on the tank, otherwise unmachined, unprimed or completely machined acc. to customer's drawing
2242	D 70 NBR	密封垫圈 \varnothing 6 mm NBR 硬度 70° Shore	Gasket \varnothing 6 mm NBR 70° Shore
2263	AS G 1/2"	放油塞	Drain plug
2268	G 1/2"	铜质油塞垫片 (21x26x2,5)	CU-Gasket (21x26x2,5)
2300	F 70	AB 70 油箱铝支脚 (一套4个)	Aluminium feet for AB 70 (Set=4 pcs.)
2372	SE 2	空虑注油塞 (金属)*	Filler (metal)*
2340	ÖS 76	液位计*	Oil gauge*
2350	ÖS 127	液位计*	Oil gauge*
2352	ÖS 176	液位计*	Oil gauge*
2384	LR 150	脚轮高 150 mm*	Castors 150 mm*

*附件: 请另查介绍手册

*Accessories: please see our catalogue

油箱 AB70 可叠起堆放
AB 70 STACKABLE

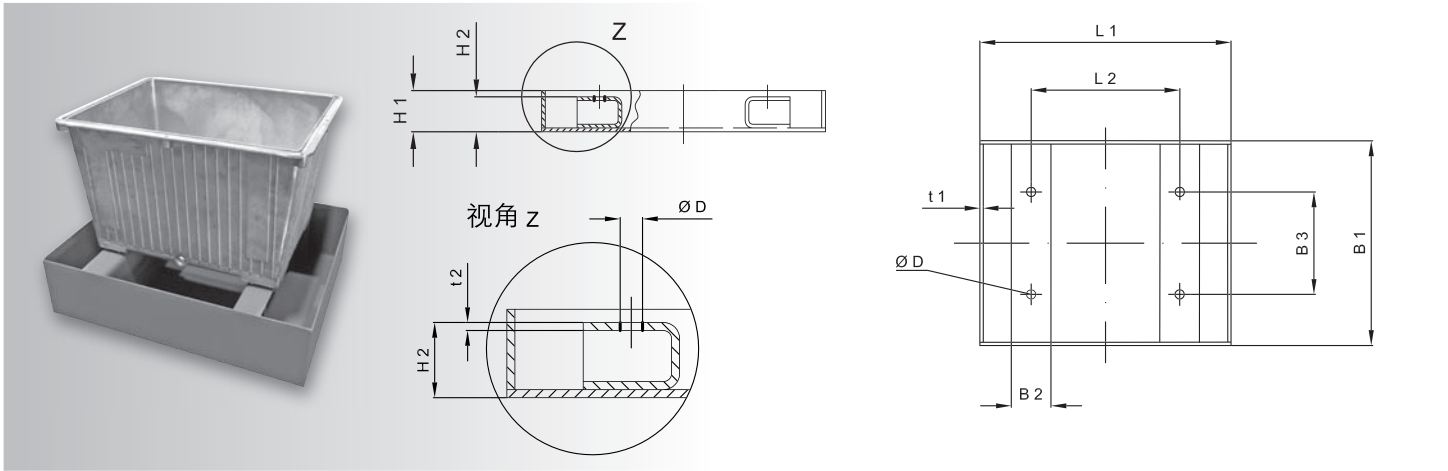


油箱 AB44 带客户来图加工好的箱盖。
AB 44 WITH LID MACHINING
ACC. TO CUSTOMER'S DRAWING



配铝油箱的集油槽

OIL SUMPS FOR ALUMINIUM TANKS



产品代码 PART NO.	产品型号 TYPE	所配油箱 FOR	容积 VOLUME	标注尺寸 DIMENSIONS (mm)									
				L ₁	L ₂	B ₁	B ₂	B ₃	H ₁	H ₂	t ₁	t ₂	D
1080	ÖW 12 ST	AB 12 NR	11,8 L	380	225	310	60	155	110	100	3	3	9,5
1081	ÖW 20 ST	AB 20	20 L	570	270	350	60	192	110	100	3	3	9,5
1082	ÖW 30 ST	AB 30 NR	33 L	550	326	400	60	176	160	150	3	5	12
1083	ÖW 44 ST	AB 44	45 L	600	341	500	60	241	160	150	3	5	12
1084	ÖW 70 ST	AB 70	63,5 L	730	422,5	580	60	282,5	160	150	3	5	12

ÖW 12 – ÖW 70

- 配铝油箱 AB 12 – AB 70 的集油槽
- 材料 ST 37 (可选 V2A/V4A)
- ST 37 喷砂工艺, 接地良好, 耐油 (矿物油 HL / HLP)
- 焊接符合 WHG 标准 19.1

*附件: 请另查介绍手册

ÖW 12 – ÖW 70

- Oil sumps for aluminium tanks AB 12 – AB 70
- Material ST 37 (alt. V2A/V4A)
- ST 37 sandblasted and grounded regarding oil resistance (mineral oil HL/HLP)
- Approved welding shop acc. to § 19.1 (WHG)

*Accessories: please see our catalogue

铝油箱相关的技术参数

TECHNICAL DATA ALUMINIUM OIL TANKS

油箱型号 SIZE OF TANK V	有效容积 EFFECTIVE VOLUME V	冷却效率 P/ΔT [W/K] SPECIFIC COOLING CAPACITY P/Δt [W/K]	ΔT= 40K 时油箱的冷却 功率* P[kW]* COOLING CAPACITY* P[kW] Δt= 40K	包括箱盖在内的油箱表面积 [m ²] SURFACE WITH TANK LID [m ²]	自重 WEIGHT [kg]
NG 3.5	3	4	0.16	0.15	1.4
NG 6.5	6	9	0.36	0.25	1.7
NG 8	6.5	11	0.44	0.3	2.5
NG 12	10	15	0.6	0.35	2.3
NG 13	11	15	0.6	0.4	2.8
NG 20	17	18	0.72	0.5	4.3
NG 30	27	23	0.92	0.75	5
NG 44	40	26	1.04	1	7
NG 70	63	29	1.16	1.3	10

*与周围环境状况有关

*Depending on surrounding conditions

产品介绍

GENERAL TECHNICAL INFORMATION

- 各型号的铝油箱可叠起堆放, 节约运输成本和存储空间。
 - 铸造的箱体均匀、坚固。铝材质, 表面还有圆滑的沟槽, 所以散热性好
 - AB 30 - AB 70 可选配支脚或脚轮
 - AB 3,5 - AB 20 油箱与箱盖之间有扁平的橡胶软木密封垫圈
 - AB 30 - AB 70 油箱与箱盖之间有圆形密封环 $\varnothing 6$ mm NBR
 - 所有型号的油箱盖可来图加工 (若需要, 可上涂层)
 - 所有型号的油箱, 包括标准附件, 均有库存
- All aluminium tank sizes are stackable, thus low freight cost and space saving storage
 - Stable casted body with good heat dissipation by material aluminium and all-round fluting
 - AB 30 - AB 70 available with feet or castors alternatively
 - Flat gasket made of rubber cork between tank lid and tank for AB 3,5 - AB 20
 - Toroidal sealing ring (endless, without contact spot) 6 mm \varnothing NBR for AB 30 - AB 70
 - Tank lid for all sizes according to customer's drawing (coating included, if desired)
 - All tank sizes incl. standard accessories ex stock

介质适应性列表

LIST OF RESISTANCE

适用矿物油和防火油

against mineral oils and flame resistant fluids

产品名称 PRODUCT	材质 MATERIAL	介质 MEDIUM				
		液压油/矿物基 Hydraulic oil / Mineral oil base	HFA	HFB	HFC	HFD, HFD-R, HFD-S, HFD-T
钢质油箱 / Steel tanks	钢 / Steel	●	1	●	●	●
涂层 / Coating	ME III	●	●	●	2	2
密封垫圈 / Gasket	NBR	●	●	●	●	●
密封垫圈 / Gasket	EPDM	●	●	●	●	●
AB-油箱 / AB-tanks	铝 / Aluminium	●	●	●	●	●
密封垫圈 / Gasket	硬纸板 / Paperboard	●	●	●	●	●
密封垫圈 / Gasket	橡胶软木 / Rubber cork	●	●	●	3	3
油箱盖 SD / Lid SD	钢 / Steel	●	1	●	●	●
液位计 / Oil gauges						
带密封垫圈 / with gasket	NBR	●	●	●	●	●
带密封垫圈 / with gasket	FPM	●	●	●	●	●
空虑注油塞 / Filler	ST	●	●	●	●	●
油箱清洗盖 / Cleaning cover	铝 / Aluminium	●	●	●	●	●
带密封垫圈 / with gasket	NBR	●	●	●	●	●
带密封垫圈 / with gasket	FPM	●	●	●	●	●
带密封垫圈 / with gasket	EPDM	●	●	●	●	●

- = 适用 ● = 不适用 1 = 要求涂底漆 2 = 若要涂底漆, 底漆材料会是环氧树脂 3 = 要求防潮功能。
 ● = resistant ● = nonresistant 1 = Priming coat required 2 = If coating required, epoxyd-rosin is to be used 3 = Resistant to moisture by oil

液压油/主要成分

- **HFA** 水包油乳化液, 含水量 > 80%
- **HFB** 油包水乳化液, 含水量 > 40%
- **HFC** 水—乙二醇液, 含水量 > 45%
- **HFD** 合成型液压油 (无水)
- **HFD-R** 磷酸酯液
- **HFD-S** 氯代烃溶剂
- **HFD-T** HFD-R 与 HFD-S 的混合物

HYDRAULIC FLUIDS / MAIN COMPONENTS

- **HFA** Oil in water emulsion, water content > 80 per cent
- **HFB** Water in oil emulsion, water content > 40 per cent
- **HFC** Watery Polymer-solution (waterglycol) water content > 45 per cent
- **HFD** Synthetic fluids (free of water)
- **HFD-R** Phosphoric acid ester
- **HFD-S** Chlorinated hydrocarbon
- **HFD-T** Mixture of HFD-R + HFD-S

- 钢质油箱, 不锈钢质油箱
- Oil tanks made of steel / stainless steel



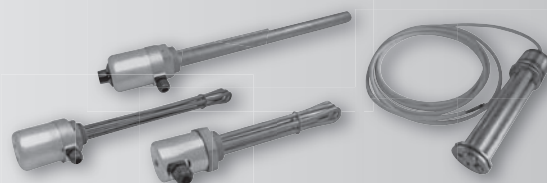
- 铝质油箱
- Oil tanks made of aluminium



- 清洗盖及其他油箱附件
- Cleaning covers and further accessories



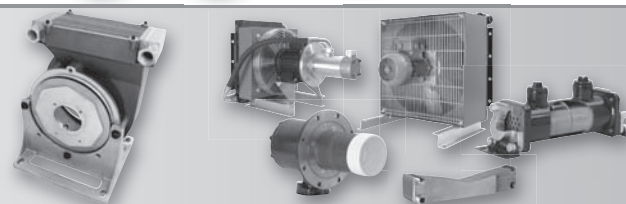
- 油箱加热器
- Tank heaters



- 钟形罩及其附件
- Bellhousings and accessories



- 钟形罩内置油冷却器
- 热交换器
- Bellhousing with oil-cooler
- Heat exchangers



- SOFTEX® 弹性联轴器, 无齿隙弹性联轴器
- SOFTEX® elastic and no backlash shaft couplings



- STAREX® 曲面齿联轴器, 内燃机法兰联轴器
- STAREX® flexible couplings



HBE GmbH
Hönnestraße 47
58809 Neuenrade/Germany

Phone +49 (0) 23 94 / 6 16-0
Fax +49 (0) 23 94 / 6 16-25
info@hbe-hydraulics.com
www.hbe-hydraulics.com

GFS German Fluid
Systems
德国流体系统有限公司

德国流体系统有限公司上海代表处
上海市漕溪路 250 号银海大楼 A103 室

电话: 020-64827125
传真: 020-64827126
info@germanfluid.com
www.germanfluid.com